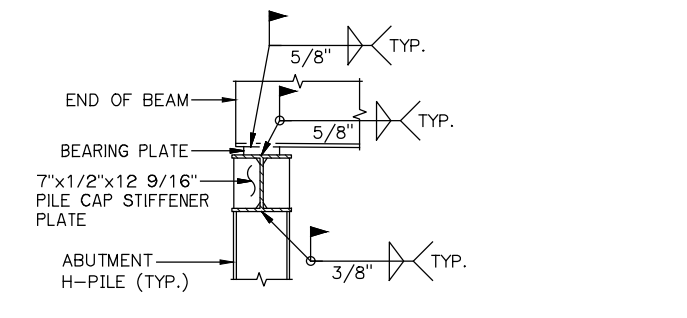
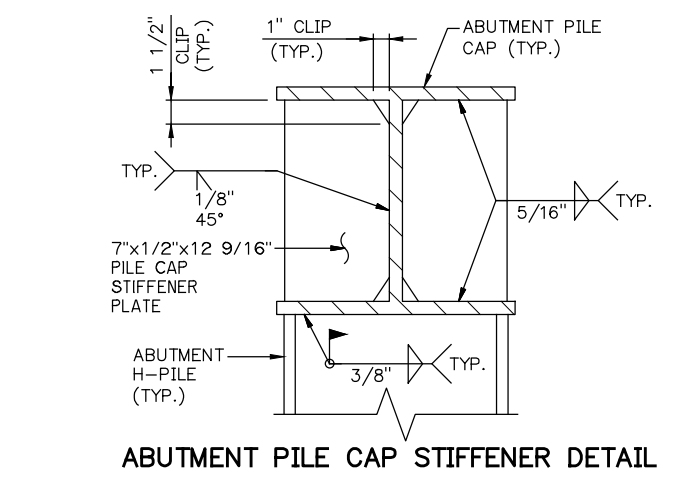
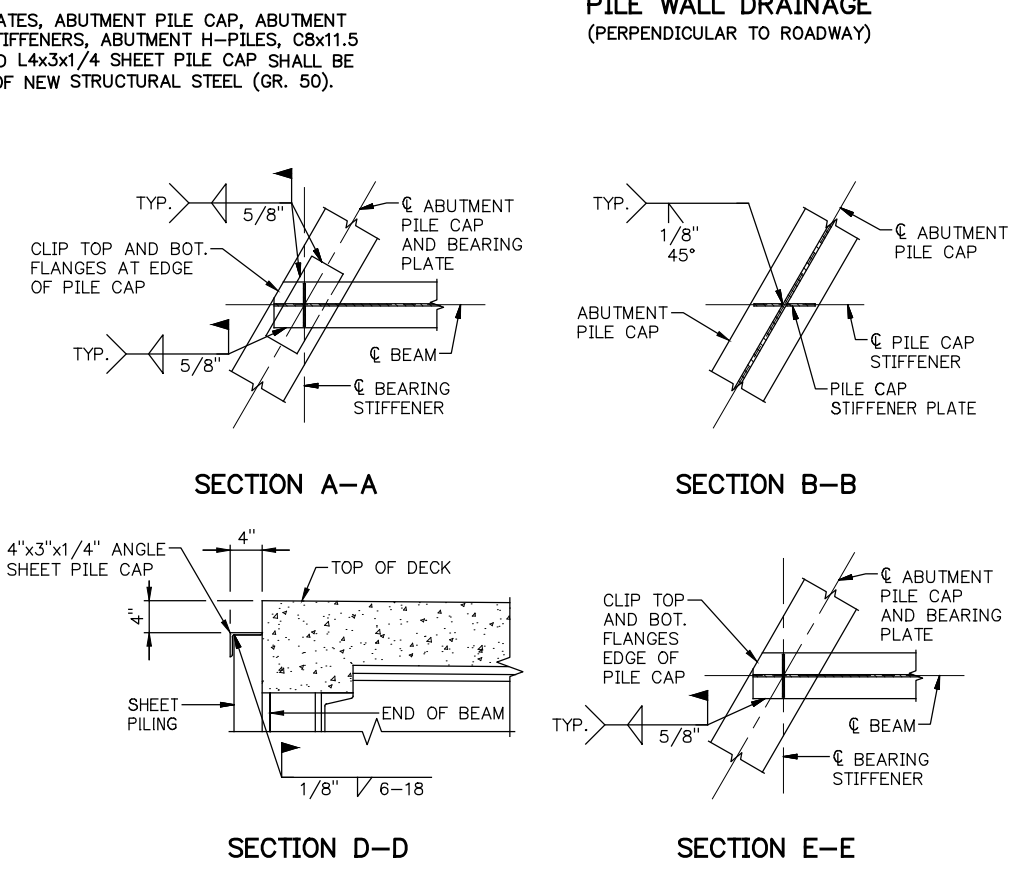
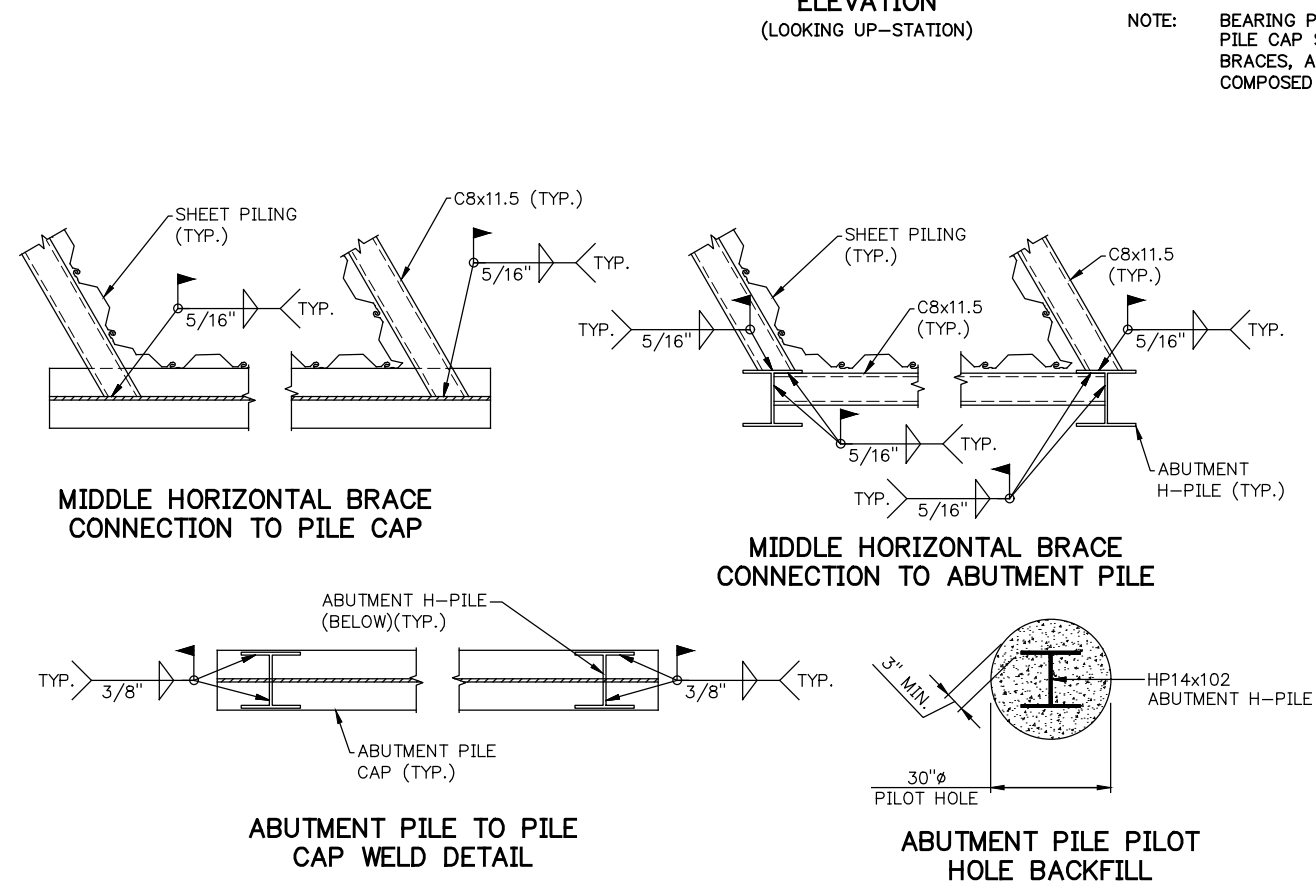


ABUTMENT 2 QUANTITIES		
ITEM	UNITS	TOTAL
SUBSTRUCTURE EXCAVATION COMMON	CY	159.00
GRANULAR BACKFILL	CY	13.00
STRUCTURAL STEEL	LB	6,140.00
CLASS AA CONCRETE	CY	23.80
CLASS C CONCRETE	CY	1.00
PILES, FURNISHED (HP14x102)	LF	270.00
PILES, DRIVEN (HP14x102)	LF	9.00
SHEET PILING, FURNISHED	SY	68.00
SHEET PILING, DRIVEN	SY	68.00
(PL) PILOT HOLES	LF	247.00
6" PERFORATED PIPE UNDERDRAIN ROUND	LF	38.00
6" NON-PERF. PIPE UNDERDRAIN RND.	LF	3.00
STANDARD BEDDING MATERIAL, CLASS B	CY	63.00

NOTE: BEARING PLATES, ABUTMENT PILE CAP, ABUTMENT PILE CAP STIFFENERS, ABUTMENT H-PILES, C8x11.5 BRACES, AND L4x3x1/4 SHEET PILE CAP SHALL BE COMPOSED OF NEW STRUCTURAL STEEL (GR. 50).



ABUTMENT 2 DETAILS (BRIDGE "B")
 © SURVEY STA. 314+58.28
 State Job No. 28312(04) Sheet No. 31

LOGAN COUNTY S.H. 74D